

# NAKED SLIDING 400

SOLEMYO OPERA BLUEBUS 24V

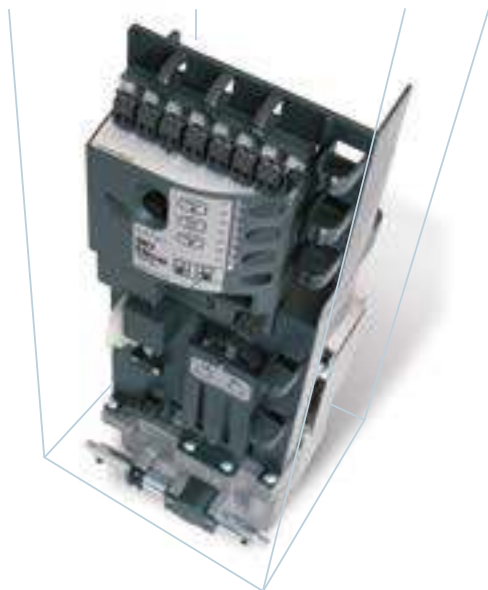
## Nice concealed motor for sliding gates up to 400 Kg with leaf length up to 6 m.

Motor with built-in control unit and absolute encoder which can be installed inside a compact post with suitable holes.

Its extremely small size allows the motor to be installed even in very slender posts, with interior size down to 140x140 mm.

**User-friendly:** thanks to the BlueBUS system, allowing the control unit to be connected to up to 7 pairs of photocells and control, security and signalling devices with just two wires.

**State-of-the-art:** it features a temperature sensor that adapts the motor force to weather conditions, also modulating the overload protection.



**Master/slave selection:** for automatic synchronisation even of 2 motors, allowing automation of sliding gates with two opposing leaves.

**Intelligent:** thanks to obstacle detection and automatic working time programming. Self-diagnostics with flashing light signalling.

**Safe:** adjustable acceleration and deceleration at the start and end of every opening and closing operation.

**User-friendly, precise limit switch adjustment:** integral absolute limit switch, quick learning with just one opening or closing operation with motor released.

**Practical:** control unit and optional PS124 buffer batteries can be connected by means of practical guided - connector.

**Flexible:** unlocking can be provided on both sides of the post and/or on the outside (with the K10 and KA1 accessories). Also easy to install on existing posts.



# SLIGHT

SOLEMYO OPERA BLUEBUS 24V

## Nice motor for sliding gates up to 400 kg with leaf length up to 6 m.

Motor with built-in control unit and absolute encoder.

**Innovative ultra-compact design:** the vertical configuration of the motor makes it easy to install even in narrow openings.

**User-friendly:** thanks to the BlueBUS system, it allows the control unit to be connected to up to 7 pairs of photocells and control, security and signalling devices with just two wires.

**Built-in LED light:** programmable as either a flashing or courtesy light, it warns of gate movement during opening and closing.

**Master/slave selection:** for automatic synchronisation even of 2 motors, allowing automation of sliding gates with two opposing leaves.

**Intelligent:** thanks to obstacle detection and automatic working time programming. Self-diagnostics with flashing light signalling.

**Safe:** adjustable acceleration and deceleration at the start and end of every opening and closing operation.

### Built-in absolute limit stop:

- simple and precise regulation thanks to the rapid learning in a single movement with the motor released;
- no bracket or accessory to be installed on the ratchet;
- particularly suitable in snow areas.

**Practical:** control unit and optional PS124 buffer batteries can be connected by means of practical guided - connector.



COURTESY OR FLASHING LED LIGHT



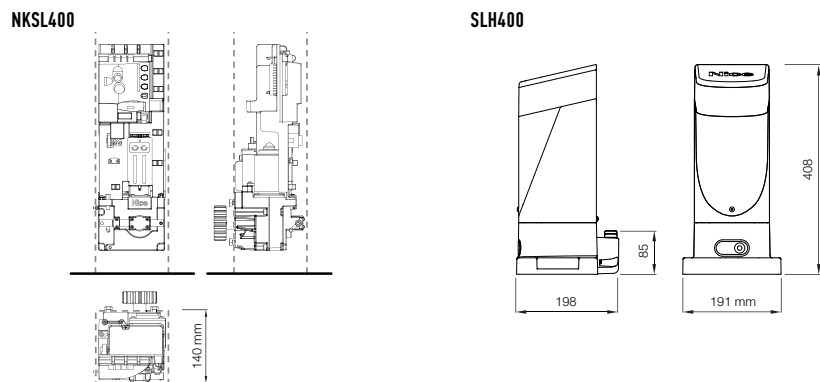
CODE	DESCRIPTION	PACK/PALLET
<b>NKSL400</b>	IRREVERSIBLE, 24 Vdc, WITH BUILT-IN CONTROL UNIT AND ABSOLUTE ENCODER ALLOWING INTEGRATION IN POST	16
<b>SLH400</b>	IRREVERSIBLE, 24 Vdc, WITH BUILT-IN CONTROL UNIT AND ABSOLUTE ENCODER WITH BUILT-IN LED LIGHT	16

### TECHNICAL SPECIFICATIONS

CODE	NKSL400	SLH400
<b>ELECTRICAL DATA</b>		
POWER SUPPLY (Vac 50/60 Hz)	230	230
ABSORPTION (A)	1.1	1.1
POWER (W)	250	250
<b>PERFORMANCE DATA</b>		
SPEED (m/s)	0.34	0.34
FORCE (N)	400	400
WORK CYCLE (CYCLES/HOUR)	35	35
<b>DIMENSIONAL AND GENERAL DATA</b>		
PROTECTION LEVEL (IP)	10*	44
WORKING TEMP. (°C MIN/MAX)	-20 ÷ +50	-20 ÷ +50
DIMENSIONS (mm)	131x172x405 h	191x198x408 h
WEIGHT (kg)	6.5	8

\* The protection degree of the automation is determined by the composition motor and column.

### DIMENSIONS



### COMPATIBILITY TABLE WITH CONTROL SYSTEMS AND ACCESSORIES

CODE	RECEIVER		TRANSMITTER				PHOTOCELLS						FLASHING LIGHT								
	Built-in*	FLOX1ZR*	OXI	ERA INTI	ERA ONE	ERA FLOR	NICEWAY	EPS	EPM	EPL	EPSB	EPMB	EPLB	FZ10	FT210	FZ10B	FT210B	EL	EL24	ELB	WLT
<b>SLH400</b>			●	●	●	●	●				●	●	●			●	●			●	●
<b>NKSL400</b>			●	●	●	●	●				●	●	●			●	●			●	●

\*Radio receiver incompatible with Opera system

### ACCESSORIES



**NKA3**  
SPARE CONTROL UNIT.  
PC/PACK 1



**PS124**  
24 V BATTERY WITH INTEGRATED BATTERY CHARGER.  
PC/PACK 1



**ROA6**  
M4 25x20x1000 mm SLOTTED NYLON RACK WITH METAL INSERT FOR GATES WEIGHING UP TO 500 kg.  
PC/PACK 10



**ROA7**  
M4 RACK, ZINC COATED, 22x22x1000 mm.  
PC/PACK 10



**ROA8**  
M4 RACK, 30x8x1000 mm, ZINC COATED WITH SPACERS AND SCREWS.  
PC/PACK 10



**K10**  
KEY-OPERATED SELECTOR SWITCH FOR LOW VOLTAGE CONTACTS, WITH RELEASE MECHANISM FOR METAL CORD.  
PC/PACK 1



**KA1**  
6 m CABLE RELEASE KIT FOR K10.  
PC/PACK 1

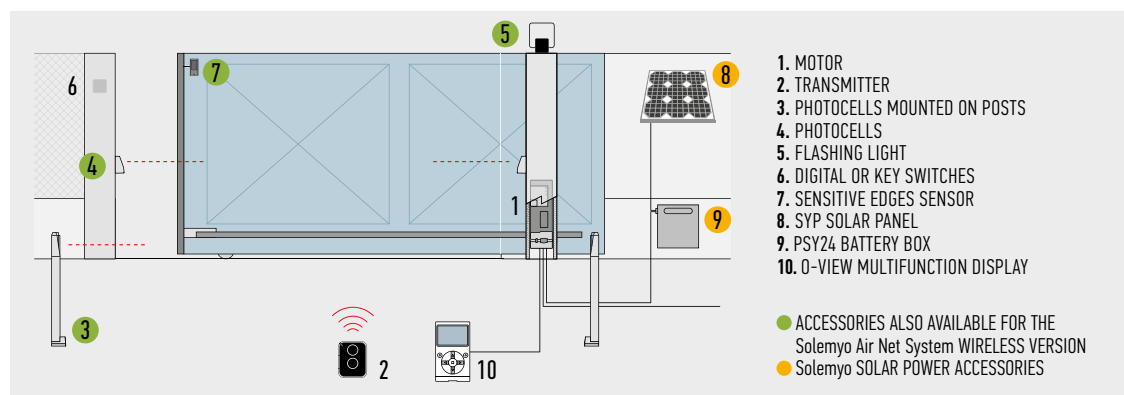


**TS**  
SIGNBOARD.  
PC/PACK 1



**KIT SOLEMYO**  
THE SOLAR POWER TO AUTOMATE GATES, GARAGE DOORS OR BARRIER GATES. SEE PAGE 200

### INSTALLATION DIAGRAM



# SLIGHT KIT

NEW SOLEMYO OPERA BLUEBUS 24V

## Nice motor for sliding gates up to 400 kg with leaf length up to 6 m.

Motor with built-in control unit and absolute encoder.

**Innovative ultra-compact design:** the vertical configuration of the motor makes it easy to install even in narrow openings.

**User-friendly:** thanks to the BlueBUS system, it allows the control unit to be connected to up to 7 pairs of photocells and control, security and signalling devices with just two wires.

**Built-in LED light:** programmable as either a flashing or courtesy light, it warns of gate movement during opening and closing.

**Master/slave selection:** for automatic synchronisation even of 2 motors, allowing automation of sliding gates with two opposing leaves.

**Intelligent:** thanks to obstacle detection and automatic working time programming. Self-diagnostics with flashing light signalling.

**Safe:** adjustable acceleration and deceleration at the start and end of every opening and closing operation.

### Built-in absolute limit stop:

- simple and precise regulation thanks to the rapid learning in a single movement with the motor released;
- no bracket or accessory to be installed on the ratchet;
- particularly suitable in snow areas.

**Practical:** control unit and optional PS124 buffer batteries can be connected by means of practical guided - connector.

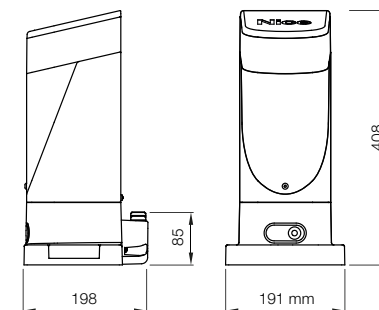
CODE	DESCRIPTION	PACK/PALLET
SLH400KCE	KIT FOR THE AUTOMATION OF SLIDING GATES UP TO 400 Kg, IRREVERSIBLE, 24 Vdc, WITH BUILT-IN CONTROL UNIT AND ABSOLUTE ENCODER WITH BUILT-IN LED LIGHT	16

## TECHNICAL SPECIFICATIONS

CODE	SLH400
<b>ELECTRICAL DATA</b>	
POWER SUPPLY (Vac 50/60 Hz)	230
ABSORPTION (A)	1.1
POWER (W)	250
<b>PERFORMANCE DATA</b>	
SPEED (m/s)	0.34
FORCE (N)	400
WORK CYCLE (CYCLES/HOUR)	35
<b>DIMENSIONAL AND GENERAL DATA</b>	
PROTECTION LEVEL (IP)	44
WORKING TEMP. (°C MIN/MAX)	-20 ÷ +50
DIMENSIONS (mm)	191x198x408 h
WEIGHT (kg)	8

\* The protection degree of the automation is determined by the composition motor and column.

## DIMENSIONS



## THE KIT CONTAINS:

**SLH400**  
1 IRREVERSIBLE ELECTROMECHANICAL GEAR MOTOR, WITH BUILT-IN CONTROL UNIT AND ABSOLUTE ENCODER WITH BUILT-IN LED LIGHT



**ON2E**  
2 TRANSMITTERS  
433.92 MHz, 2 CHANNELS.



NEW

**EPMB**  
1 COUPLE OF EXTERNAL PHOTOCELLS DESIGNED FOR CONNECTION BY NICE BLUEBUS.



**OXI**  
RECEIVERS WITH CONNECTOR  
4 CHANNELS



NEW

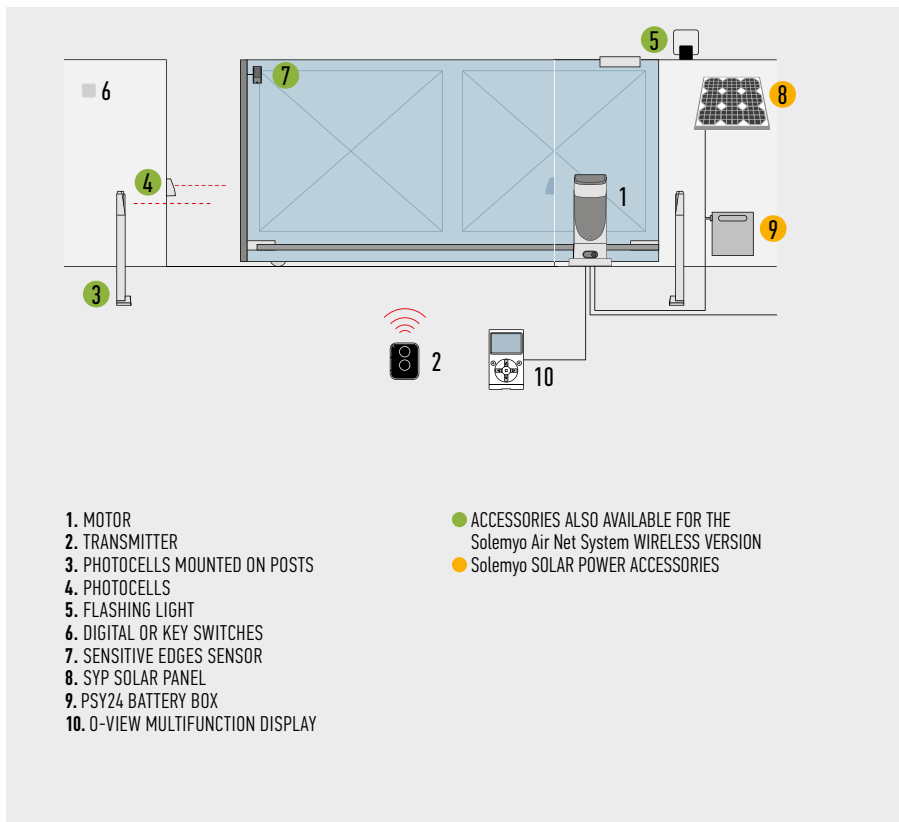
**ELB**  
1 FLASHING LIGHT WITH INTEGRATED AERIAL.



**TS**  
1 SIGNBOARD.



## INSTALLATION DIAGRAM



Nice recommends customers order products in pallets in order to facilitate storage and delivery, and ensure packs are uniform. The number of packs per single pallet has been specified for this reason. Approximate draft.

## ACCESSORIES



**NKA3**  
 SPARE CONTROL UNIT.  
 PC/PACK 1



**PS124**  
 24 V BATTERY  
 WITH INTEGRATED  
 BATTERY CHARGER.  
 PC/PACK 1



**ROA6**  
 M4 25x20x1000 mm SLOTTED  
 NYLON RACK WITH METAL  
 INSERT FOR GATES  
 WEIGHING UP TO 500 kg.  
 PC/PACK 10



**ROA7**  
 M4 RACK, ZINC COATED,  
 22x22x1000 mm.  
 PC/PACK 10



**ROA8**  
 M4 RACK, 30x8x1000 mm,  
 ZINC COATED WITH  
 SPACERS AND SCREWS.  
 PC/PACK 10



**K10**  
 KEY-OPERATED SELECTOR  
 SWITCH FOR LOW VOLTAGE  
 CONTACTS, WITH RELEASE  
 MECHANISM FOR METAL  
 CORD.  
 PC/PACK 1



**KA1**  
 6 m CABLE RELEASE KIT  
 FOR K10.  
 PC/PACK 1



**KIT SOLEMYO**  
 THE SOLAR POWER TO  
 AUTOMATE GATES, GARAGE  
 DOORS OR BARRIER GATES.  
 SEE PAGE 200

FOR SWING GATES

FOR SLIDING GATES

BARRIER GATE  
 OPERATOR SYSTEMS

FOR GARAGE  
 AND INDUSTRIAL DOORS

CONTROL SYSTEMS  
 AND ACCESSORIES

COMPATIBILITY TABLE  
 AND ALPHABETICAL INDEX